



**PRINCIPAL SPECIFICATIONS  
FOR TOURNAMENT TABLES /12 ft/  
AND EQUIPMENT  
FOR BILLIARD SPORT /PYRAMID/**

**APPROVED BY:**

**European Pyramid  
Committee President:**

**International Pyramid  
Committee President:**



**A. Sakalou**

2002



**I. Barskov**

2002



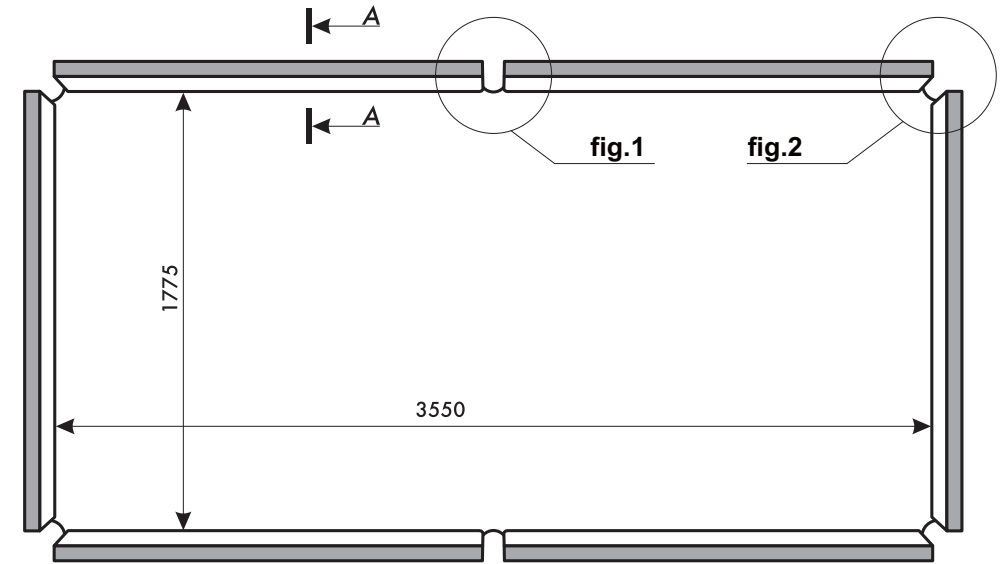
## SECTION 1

### Principal Specifications of Tournament Tables (12 ft) and Equipment for Billiard Sport /Pyramid/

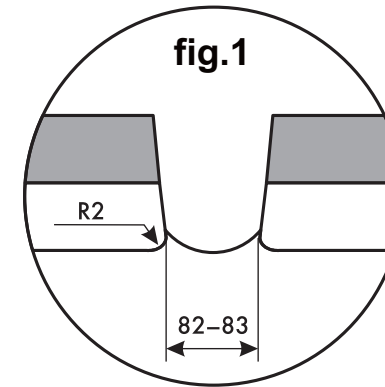
From the experience of tournaments in Russian billiards and in order to develop the general guidelines for billiard tables manufacturers the International Committee of Pyramid /ICP/ and the European Committee of Pyramid /ECP/ have approved the "Principal Specifications of Tables and Equipment for Billiard Sport" /see Table 1/

**Table 1**

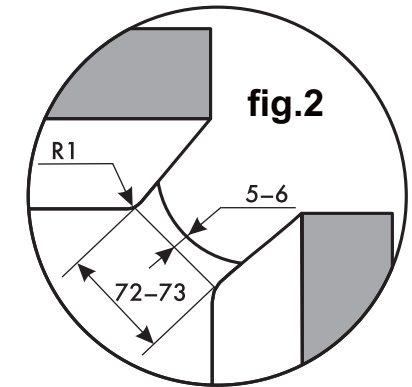
Playing surface, mm		3550 x 1775 (± 50)
Slate thickness /12 ft/ min., mm		44
Table bed height, mm		800 – 820
Cushion nose height, mm	Pic. 1.3.	42
Cushion top tilting angle, degrees		6 – 8
Cushion tip rounding in the corner pocket, mm	Pic. 1.2.	5
Cushion tip rounding in the side pocket, mm	Pic. 1.1.	14 – 16
Corner pocket shelf, mm	Pic. 1.2.	5 – 6
Side pocket shelf, mm	Pic. 1.1.	0
Corner pocket mouth, mm	Pic. 1.2.	72 – 73
Side pocket mouth, mm	Pic. 1.1.	82 – 83
Ball diameter, mm	Pic. 1.3.	68 – 68,5
Suggested balls brand		"Aramith"
Suggested cloth brand		"Elite-Pro" 700
<b>Cushion specifications:</b>		
· rebound elasticity under AUSS 27110-86 /CMEA 108-85/		55% ± 2
· hardness under ISO AUSS 20403-75 /CMEA 1970-73/		42 ± 2
<b>Light specifications:</b>	Pic. 2	
· playing surface illumination min., lux		
· luminous flux coverage		min. to corner pockets' edges
Suggested shades' height above the playing surface, mm		800 – 1000
Suggested playing area A /off-rails spacing/, mm	Pic. 3	1800
<b>Tournament conditions</b> /playing hall indoor climate/:		
· temperature t, °C		18 – 22 °C
· moisture, %		60±5% /in the absence of condensation/ inadmissible
· drastic temperature and moisture drops		



**PIC.1**  
12 ft table. Basic dimensions

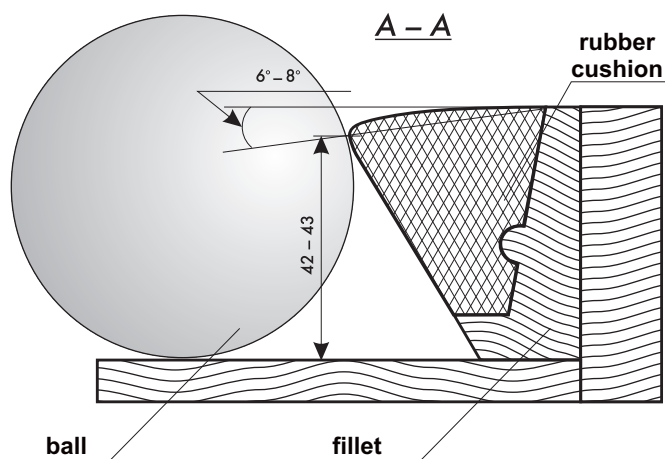


**PIC.1.1.**  
Side Pocket Mouth



**PIC.1.2.**  
Corner Pocket Mouth

PIC.1.3.  
Cushion  
fixture



## SECTION 2 Comments

The suggested parameters /Table 1/ rest on a wide experience of the first-rate billiard tables and equipment manufacturer and supplier since 1994 - Ruptur company.

It is advisable to equip 12ft tournament tables with hooks for mechanical bridges, triangle and extended cue to be mounted on side boards of the table.

The suggested A.Hainsworth cloth "Elite-Pro" 700 with the wool/nylon proportion of 70/30 % and 363 g/sq.m density fits in the best way for billiards providing ultimate balls' roll and friction constant. It has a guaranteed constant density /thickness/ along the full length and width.

Phenolic resin "Aramith" balls made by "Saluc", Belgium, are suggested for the following reasons:

- with the center of gravity located in the right ball center, the resulting ultimate balance guarantees perfectly true and accurate roll;
- balls are diameter and weight calibrated to offer the optimal level of rebound and full control of the effect of every shot;
- the heavy duty design allows to withstand up to 5 ton;
- high burn-spot resistance /250 °C/;

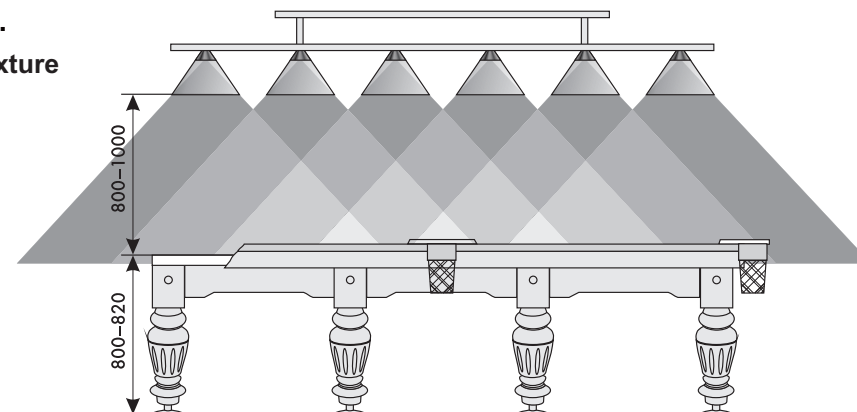
- high impact resistance /Aramith balls withstand to over 50 times more impacts than other polymer or polyester balls/

The light specifications and suggestions are set out in SECTION 3.

## SECTION 3 Playing surface lighting

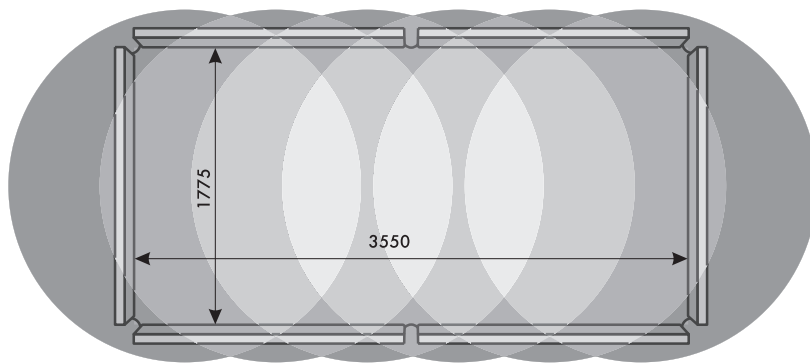
According to the light characteristics and ergonomic requirements Pic. 2 figures the optimal scheme of the lamp fixture over the table playing surface with the luminous flux covering the edges of corner pockets. Depending on the electric lamps power the height of the shades above the playing surface may vary between 800 mm and 1000 mm. Such a scheme allows to achieve balancing illumination of min. 300 lux by using 100W incandescent lamps. With a higher position of the lamp /over 1000 mm/ the luminous flux coverage will decrease and the player will feel uncomfortable by being blinded while performing a shot. A lower position of the lamp /under 800 mm/ will cause excessive illumination of the playing surface resulting in balls' glare effects and play handicap while the pocket areas will lack light. In addition the player may uncomfortably touch the end shades of the lamp with his head or cue.

PIC.2.1.  
Lamp fixture





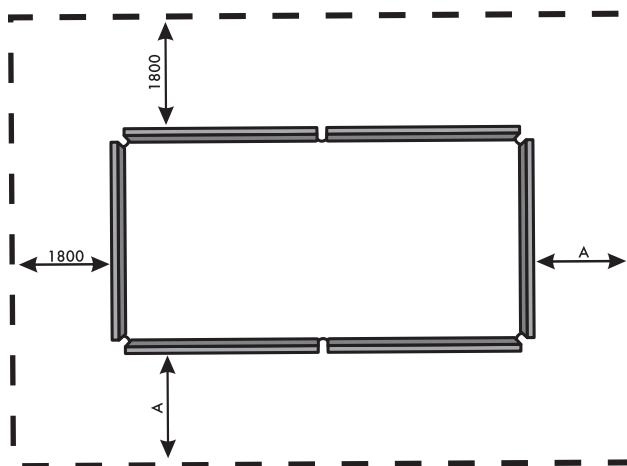
PIC.2.2.  
Light  
zones



## SECTION 4

### Playing area

The notion of the playing area /Pic. 3/ was introduced to assure comfortable playing conditions in the course of a tournament. This area must be free of non-playing objects impeding the player during matches. Advertisement stands and posters, as well as a ballrack-table, a score-board and seats for players can be installed along the perimeter of the playing area.



PIC.3  
Playing area  
dimensions



## SECTION 5

### Tournament equipment

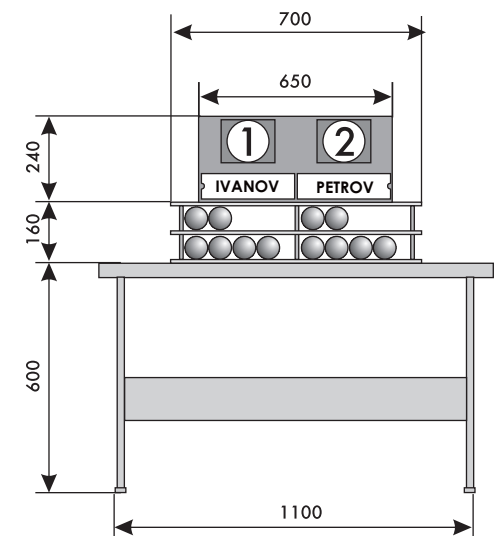
All billiard sports tournaments must be held in a sports arena with 8 /minimum/ full-size pyramid tables and lights.

In the list below suggested equipment and accessories are given on the basis of one table set:

1. Full-size billiard table /12 ft/
2. Ball rack-table /Pic.4/
3. Score-board /Pic.4/
4. Player chair /2 pcs/
5. Mechanical bridge
6. Extended cue
7. Chalk
8. Tip dimpler
9. Towel
10. Soft drink
11. Glass /2 purchase/

### Tournament dress-code:

light shirt, dark trousers, bow tie, dark waistcoat.  
Usage of advertisement logos allowed.



PIC. 4  
Ballrack-table  
and score-board



## SECTION 6

### General parameters of billiardtables

#### Russian billiards:

12 ft:	Playing surface	3550 MM x 1775 MM
	Overall dimensions	3840 MM x 2060 MM
10 ft:	Playing surface	2950 MM x 1470 MM
	Overall dimensions	3240 MM x 1750 MM
9 ft:	Playing surface	2540 MM x 1270 MM
	Overall dimensions	2830 MM x 1560 MM
8 ft:	Playing surface	2240 MM x 1120 MM
	Overall dimensions	2530 MM x 1410 MM

The dimensions for different table manufacturers may vary within 10 cm.